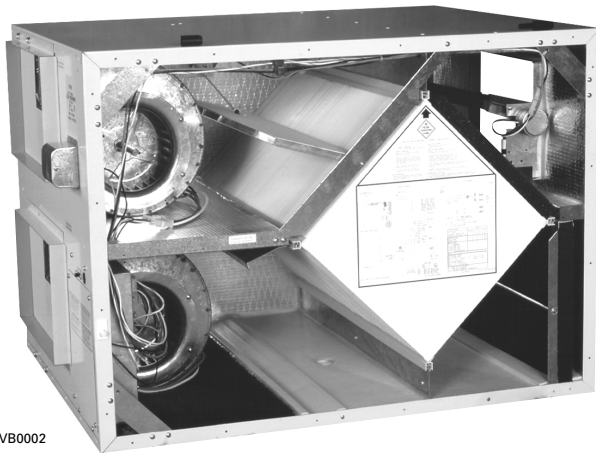


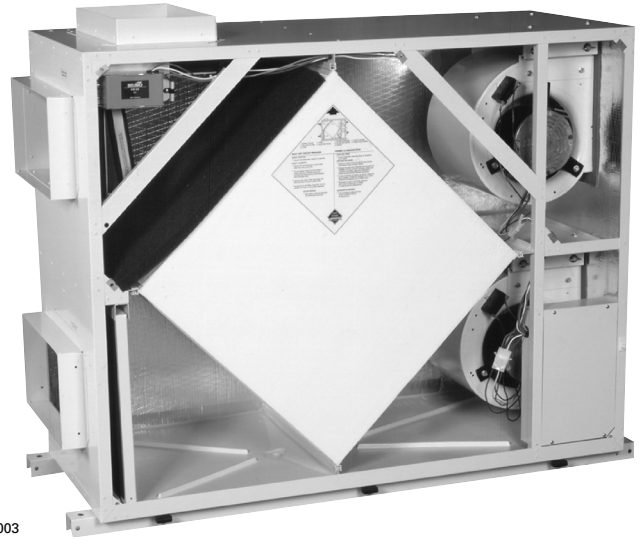
# Light Commercial Heat Recovery Ventilators

Installation, Operation and Service Instructions



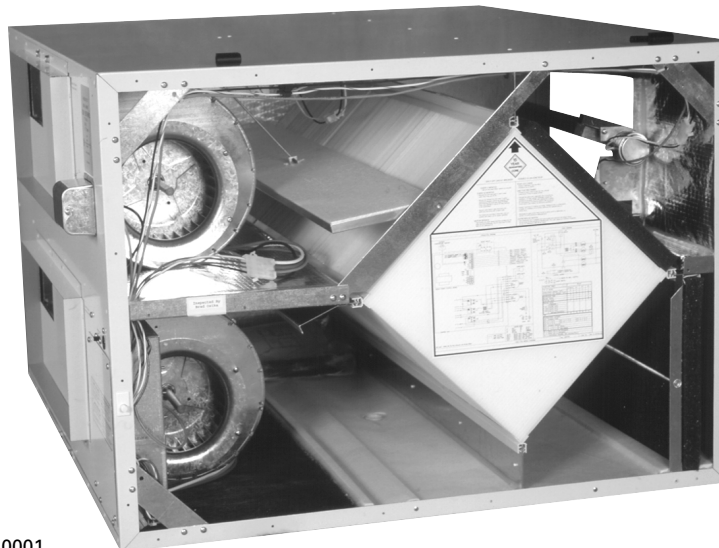
VB0002

600 cfm



VB0003

700 cfm



VB0001

1200 cfm

# Contents

---

1	Safety Considerations	3
2	Installation	
2.1	Inspection	3
2.2	Mounting Location Requirements	3
2.3	Mounting Options	3
2.4	Ductwork	3
2.5	Internal Grilles and Diffusers	4
2.6	Exterior Hoods	4
2.7	Drains	4
2.8	Electrical Connections	5
3	Controls	5
3.1	General Information	5
3.2	Sequence of Operation	5
3.3	Defrost	5
3.4	Remote Wall Control (Optional)	6
4	Airflow Measurement and Balancing	6
4.1	Flow Station Positions	6
4.2	Balancing Procedure	7
5	Maintenance and Service	7
5.1	Bi-Monthly Maintenance	7
5.2	Annual Maintenance	7
	Appendix A - Mounting Diagrams	9
	Appendix B - Unit Dimensions	10
	Appendix C - Flow Station Positions	15
	Appendix D - Drain Connections	16
	Appendix E - Terminal Control Diagrams	17
	Appendix F - Electrical Connection Diagrams	19
	Appendix G - Make-up Heat Requirements	20
	Appendix H - Wiring Diagrams	21
	Appendix I - Troubleshooting	24

# 1 Safety Considerations

Hazards may exist within this equipment because it contains electrical and powerful moving components. Only qualified service personnel should install or service this equipment. Untrained personnel can perform basic maintenance such as maintaining filters. Observe precautions marked in literature and on labels attached to unit. Follow all safety codes.

## WARNING

Disconnect main power switches to unit before performing service or maintenance. Electric shock can cause personal injury or death.

# 2 Installation

## 2.1 Inspection

Inspect the exterior of the unit for shipping damage by ensuring that there is no damage to the door, door latches, door hinges, damper, duct collars, cabinet, etc. Inspect the interior of the unit for damage by ensuring that the fan motors and housings, heat exchange cores, insulation, dampers, actuators and drain pans are all intact.

If transportation damage is found, file a claim immediately with the transportation agency. Remove all packaging, tape, etc. from the cabinet.

## 2.2 Mounting Location Requirements

When determining an installation location, the unit must be mounted in a heated area to prevent condensate drain lines from freezing. The mounting location should be away from occupied areas to provide quiet operation. The area should also be easily accessible for maintenance.

### NOTE:

These Heat Recovery Ventilators have minimum clearance requirements when mounting. See Appendix B for specific clearance requirements. Mounting options must allow 6" (152mm) clearance in front of control cover for access.

A mounting location close to an exterior partition will minimize the length of insulated duct. The unit should be close to a drain and 120 volt, 60 Hz power supply. The unit should be mounted away from hot chimneys, electrical panels and other hazards. The area should also be easily accessible for maintenance.

## 2.3 Mounting Options

There are several options for hanging or floor mounting the unit.

### NOTE:

In all cases, the unit must be level. Consult local building code for restrictions in your area regarding installation.

Hang the unit with the reinforced rubber straps provided as shown in Appendix A. Check with local building codes regarding the use of rubber straps in commercial buildings. Attach the straps to the unit with two #8 screws provided. Then attach the other end of the strap to the ceiling joists, trusses, custom frame, etc.

The unit can also be hung with 3/8" (10mm) threaded rod and U channels or angles (not supplied) as shown in Appendix A.

When installing the unit, keep in mind that access to the control panel may be required. Supply and exhaust ducts to outside may have 1" to 2" (25 to 51mm) of insulation on them. Rubber vibration isolation may be required and is recommended for quiet operation.

The unit can also be mounted on a metal or wooden curb (not supplied) bolted to the floor as shown in Appendix A. Space must be left under the unit to allow connection of drain lines. A gradual slope is required for the condensate water to drain by gravity (minimum 1/4"/foot) (6mm/305mm). If this is not possible, a pump should be used. If attachment of the unit to the curb is required, ensure that screws, bolts and mounting hardware do not interfere with moving parts or that the integrity of the cabinet insulation is not affected.

## 2.4 Ductwork

The supply and exhaust duct connections on the unit are as follows:

UNIT	DUCT SIZE
600 cfm/700 cfm	14" x 8" (356 x 203mm)
1200 cfm	20" x 8" (508 x 203mm)

### NOTE:

Duct sizes are for connection purposes only. Ducts should be sized to keep noise and pressure drop to a minimum.

The supply and exhaust ducts connected to outside, as well as any ducts passing through an unconditioned space, must have a minimum insulation value of R5. In addition, a continuous integral vapor barrier over the duct insulation must be used.

Air balancing dampers are recommended for both supply and exhaust ducts to allow for adjustment of airflow. Also, flexible canvas connectors should be installed close to the unit in the supply duct to the building and the exhaust duct from the building to reduce noise transmission from the unit to the building, see Appendix C.

All ports on the 600 cfm and 1200 cfm units have 1" (25mm) flanges to facilitate the installation of the ductwork. Please note that the "Fresh Air from Outside" port has a defrost damper incorporated with it. Ensure that any mechanical fasteners used to connect the duct do not interfere with the operation of the damper. **Screws can be installed on the side of the cabinet rather than the flange for this port only.** For port locations see Appendix B.

All ports on the 700 cfm unit have 2" (51mm) flanges to facilitate the installation of the ductwork. Please note the "Fresh Air From Outside" connection is factory set to be the left side upper port. It is possible to reverse the operation of the defrost damper in order to use the port on top of the cabinet for "Fresh Air From Outside" connection.

To change the "Fresh Air From Outside" from the side to the top use the following directions. For port locations see Appendix B.

Remove the cover of the damper motor with a flat screwdriver. Reverse the Orange and Red wires by moving the Orange from terminal #2 to terminal #3 and moving the Red wire from terminal #3 to terminal #2. The end result in order to have the "Fresh Air From Outside" connection to the top port will be: #1 - White, #2 - Red, #3 - Orange.

## 2.5 Internal Grilles and Diffusers

Locate exhaust grilles and supply diffusers to provide effective ventilation and avoid short circuiting of airflows. Adjustable dampers should be provided at every grille and diffuser location to make balancing of the system possible.

A proper selection of style and size of grilles and diffusers is required to minimize pressure drop. The velocity of the airflow should not exceed 400 ft/min (2 m/sec) for normal applications.

The duct system should be designed according to the high speed flow rate of the unit. In order to keep the noise and pressure drop to a minimum, a maximum air velocity of 1100 ft/min (5.6 m/sec) should be used in calculations in duct design. The duct runs should be kept as short as possible with the minimum amount of elbows and transitions.

The manufacturer recommends the use of smooth radius elbows or square elbows with turning vanes to achieve maximum performance.

## 2.6 Exterior Hoods

It is important that the fresh air intake hood be positioned well away from any source of contamination. The exterior supply and exhaust hoods must be separated enough to prevent cross-contamination and at an elevation that will prevent blockage by snow, dirt and leaves.

### NOTE:

Consult local building code for restrictions in your area.

A rodent screen with 1/4" (6mm) mesh must be installed to prevent the intake of large debris and animals. A backdraft damper may need to be installed in the exhaust duct to prevent cold air entering the building if the unit is to be shut off for a long period of time.

To maintain optimum airflow performance, exterior hood selection must be such that the minimum free area of opening is as follows: 140 inches<sup>2</sup> (0.09m<sup>2</sup>).

## 2.7 Drains

The drain fittings provided with the unit will accept a 3/4" (19mm) NPT coupler (supplied by others). The drain line for the unit must be fabricated on-site and connected to the building main. A loop in the hose or trap in the copper or plastic pipe must be provided to prevent sewer gases from entering the unit when connecting to a drain as illustrated in Appendix D.

### NOTE:

Consult local building code for plumbing requirements in your area. If copper pipe is to be used, ensure not to solder to the 3/4" (19mm) coupler while it is attached to the plastic drain fitting as deformation may occur. Ensure adequate slope is present to allow good drainage (minimum 1/4" per foot or 6mm per 305mm).

## 2.8 Electrical Connections

### Power

A terminal block and strain relief bushing or a junction box is provided for line voltage to make the necessary power connections.

The electrical requirements are as follows:

	600 cfm	700 cfm	1200 cfm
<b>VOLTAGE</b>	115V	115V	115V
<b>MCA</b>	8.65	6.63	13.4
<b>MOP</b>	12.5	9.13	20

### Control Box Access For Low Speed Setting (600 cfm/1200 cfm only)

Disconnect power to the unit. Remove the four screws securing the cover plate as shown in Appendix F. Lift off the control cover plate and switch the red wire as shown in Appendix F.

## 3 Controls

### 3.1 General Information

#### Fan Interlock Relay Output (FF)

External fan control can be achieved by connecting an external 24 volts fan control through dry contacts (FF). These contacts are closed on a call for ventilation or defrost. See wiring diagram shown in Appendix E-5.

#### Speed Selection (600 cfm/1200 cfm only)

There are three speed settings available with the controls, only two of which can be functional at any one time. The units are factory set to use the low and high speed taps on the blower motors. If necessary, the medium speed tap can be used instead of the low speed tap. See Appendix E-2 for instructions on how to make this change. Units without the remote wall control option can be shut off by opening the contact between LOW - COM or HIGH - COM as shown in Appendix E-2.

### 3.2 Sequence of Operation

Before start-up, check the unit for obstructive packaging, objects near or in blowers, dampers, heat exchangers, etc. Once installation is complete, check all modes of operation to ensure that the unit is working properly. Close the doors and check for operation on LOW, COM and HIGH. Use a wall control or the dry contact switching to run fan speeds as shown in Appendix E-2.

The 700 cfm unit is two speed. Low speed can be initiated by creating a closure across LOW - COM or high speed can be initiated by creating a closure across HIGH - COM.

### Unit Check points:

- \_\_\_ Power connected, no ventilation call - Both fans are off, defrost damper (if equipped) closes off fresh air from outside.
- \_\_\_ Power connected, low speed call - Both fans on low speed internal defrost damper (if equipped) opens fresh air from outside. If equipped with recirculation module, the internal defrost damper closes recirculation opening.
- \_\_\_ Power connected, high speed call - Both fans on high speed, defrost damper opens fresh air from outside. If equipped with recirculation module, the internal defrost damper closes recirculation opening.
- \_\_\_ Power connected, occupied timer/sensor connection open (unoccupied mode) - Both fans are off, defrost damper closes fresh air from outside. If equipped with recirculation module, the internal defrost damper opens recirculation opening.
- \_\_\_ Power connected, FF control contacts close during unit ventilation or defrost cycle.

### 3.3 Defrost

The unit functions are controlled by integrated controls in the unit which may include Exhaust Only Defrost or Recirculation Defrost (via the recirculation module - 600 cfm and 1200 cfm units only). In cold temperatures, defrost cycles will remove frost from the heat exchanger to maintain good operation.

#### Exhaust Only Defrost (Optional)

Frost removal occurs when the supply blower de-energizes, the supply air damper and the core damper close and the exhaust fan continues to circulate only warm inside air through the heat recovery core to maintain ventilation. This process prevents the build up of ice in the core. Defrost is temperature initiated at 23°F to -22°F (-5°C to -30°C) and time based.

### WARNING

A negative building pressure may develop during the defrost cycle with possible backdrafting fumes from combustion equipment.

## **Recirculation Defrost Module (Optional - Factory Installed)**

The Recirculation Defrost Module is only available with the 600 cfm and 1200 cfm units. The defrost cycle is electronically controlled in response to the outside temperature 23°F to -22°F (-5°C to -30°C). On a call for defrost, the supply air damper in the recirculation module closes, exhaust fan is de-energized and the supply fan continues to recirculate warm air through the heat recovery core. It is possible to extend the defrost times during very cold weather by removing the jumper JU1-F on the circuit board as shown in Appendix F. For dimension and weight changes to the 600 cfm and 1200 cfm models with recirculation defrost, see Appendix B-2 and B-4.

### **3.4 Remote Wall Control (Optional)**

Remote mounted wall control options can be used to control the ventilators from a location remote to the installed unit location. The connection from the ventilator to the control is low voltage and requires a 4 conductor (24 ga. minimum) LVT cable. Models are available with either a dehumidistat control or gas sensor. The following four options are available.

#### **Slide Switch Type**

Dehumidistat to engage high speed exchange. Slide switch operation supporting continuous low exchange and continuous high exchange.

#### **Push Button Electronic Type**

Dehumidistat to engage high speed exchange. Push-button operation supporting: intermittent (stand-by) ventilation, continuous low exchange, continuous high exchange, maintenance indicator light and exchange indicator light.

#### **Pool Electronic Type**

Ideal for pool dehumidification. Dehumidistat to engage high speed exchange. Push-button operation supporting: intermittent (stand-by) ventilation, continuous low exchange, continuous high exchange, maintenance indicator light and exchange indicator light.

#### **Pollutant Detector Type**

Pollutant monitor to engage low/high exchange. Push-button operation supporting: intermittent (stand-by) ventilation, continuous low exchange, continuous high exchange, maintenance indicator light and exchange indicator light.

## **4 Airflow Measurement and Balancing**

---

Once installation is complete, the supply and exhaust airflows should be balanced. This will ensure proper operation and a good quality installation.

A well designed duct system with properly sized duct runs and equal static pressure losses of both the supply and exhaust will aid in balancing the unit. However, it will be necessary to take flow measurements with the proper equipment to ensure a balanced system.

Magnehelic gauges and Flow Measuring Stations (FMS) are available for 14" x 8" (356 x 203mm) or 20" x 8" (508 x 203mm) rectangular duct and a range of round duct sizes. Please ask your supplier for more information.

### **4.1 Flow Station Positions**

Whether flow stations are permanently installed or used temporarily, the position they are placed in is very important to ensure accuracy as shown in Appendix C. The best locations for mounting the FMS is in the long straight sections of ducting where airflow has stabilized across the area of the duct. This position will provide the most accurate measurements.

The next best location for the FMS is immediately before or after a 90 degree elbow and 12" (305mm) from any damper. In straight sections of pipe, the FMS should be installed at least 30" (762mm) from any fan outlet. This applies to the "Supply Air Opening" connection on the heat recovery ventilator and the "Exhaust Air Opening" connection.

With airflow measuring stations permanently installed, balancing is done by measuring airflow on one side of the heat recovery ventilator and then the other. Adjustments can then be made to the damper to equalize airflows.

When using the temporary method, an FMS is installed in one air duct of the heat recovery ventilator and the flow recorded. The FMS is then relocated to the other air duct and the airflow is recorded again. Dampers can then be adjusted to equalize airflow. This procedure should be repeated to ensure that the unit is balanced properly.

## 4.2 Balancing Procedure

Before proceeding with balancing, all windows, overhead doors and walk-in doors should be closed and exhaust systems should be turned off.

The connections between the flow stations and the ducts must be sealed with tape. Mount the magnehelic gauge in a convenient location where it is level and will not vibrate or be bumped. Zero the gauge. Measure the exhaust air first as it is often the lowest due to a longer duct system.

With the fan speed at maximum, connect the hoses from the FMS to the magnehelic gauge. If the needle falls below zero, reverse the hose connections. Ensure that the damper is wide open. Take a reading from the magnehelic gauge and record it. Remove the FMS and place it in the supply duct. This process is not necessary if the FMS is to be permanently mounted.

Repeat the procedure. If the reading is higher in the supply duct, adjust the damper until the reading is the same. If the reading is lower, return the FMS to the exhaust duct and adjust the damper to obtain the same reading as the supply duct.

## 5 Maintenance and Service

### 5.1 Bi-Monthly Maintenance

#### WARNING

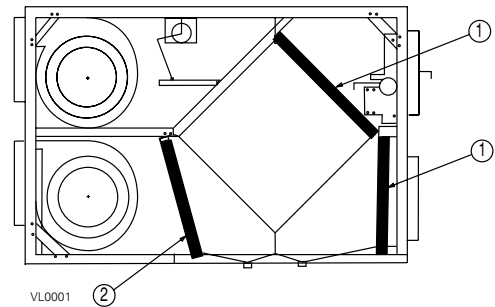
Disconnect power before maintaining unit.

Bi-monthly maintenance should include:

#### Air Filters

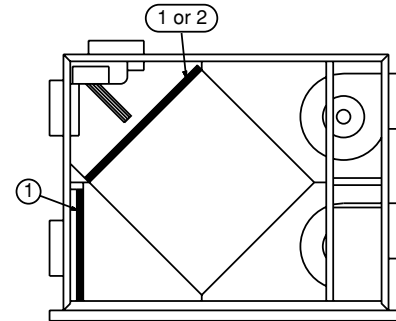
The standard foam filters are washable. Under normal conditions it is recommended that they be cleaned every two months. More frequent cleaning may be required under extremely dirty operating conditions. Use a vacuum cleaner to remove the heaviest portion of accumulated dirt, then wash with warm water.

A medium efficiency filter for the supply air stream is available from your supplier. This filter is disposable and should be replaced when it becomes dirty.



600 cfm and 1200 cfm

1. Washable foam filter
2. MEF filter - optional



700 cfm

#### Drain Pans and Interior of Unit

With the filters removed from the unit, the foil faced insulation surfaces and the drain pans should be wiped clean with a soft cloth and mild cleaning solution. Also ensure that the drain fittings are free from dirt and are draining freely.

### 5.2 Annual Maintenance

#### WARNING

Disconnect power before maintaining unit.

Annual service should include:

#### Air Filters

Vacuum and wash standard foam filters. Replace medium efficiency filter if present.

#### Drain Pans and Interior of Unit

Wash the foil faced insulation surfaces and wipe the drain pans with a soft cloth and mild cleaning solution. Check the drain fittings to ensure they are draining freely.

#### Heat Recovery Core

The heat recovery core must be handled with care. It is recommended that it be washed once a year following the season of most intense use, in order to ensure maximum efficiency of the partitions.

Allow the heat recovery core to soak for three hours in warm water and mild soap. Rinse under a heavy stream of water.

### WARNING

Hot water and a strong cleaning agent could damage the polypropylene core. Ensure the core is returned to the unit in the correct orientation. Use the sticker as a guide.

### Fans

Blower wheels and fan housing should be checked for dirt build-up. If they appear dirty, it may be necessary to remove the blower assembly and then vacuum the dust out through the fan mouth. See the following page for instructions on removing the blower assembly.

### System Operation Check

Verification of all control modes should be checked to ensure proper operation. Refer to the Controls Section, Sequence of Operation.

### Testing and Replacement of the Damper Actuator

Check damper operation by switching between LOW - COM or HIGH - COM on the dry contact terminal or by switching through the modes on the optional remote wall control. If the damper does not respond in one or both directions, check all connections.

**700 cfm ONLY:** Check for 24 volt output between the White/Red and the White/Orange wires at the damper motor. If 24 volts can be measured at the damper motor, the problem is either in the connections, the defrost relay or the main circuit board.

**600/1200 cfm ONLY: (CAUTION: 120VAC)** Check for 120 volt output across the White/Black wires. If 120 volt can be measured at the motor, replace the motor. If 120 volt cannot be measured at the motor, check pins J1-9 at the printed circuit board.

### Main Circuit Board Replacement

The main circuit board must be replaced if an electronic problem arises. For example, the unit suddenly stops, the unit stays in defrost all of the time or if control functions are not working properly.

Ensure that power is reaching the board. Test the blower motors and damper actuators for operation when directly connected to the appropriate power voltage. If the motor and damper actuators function normally, replace the main circuit board.

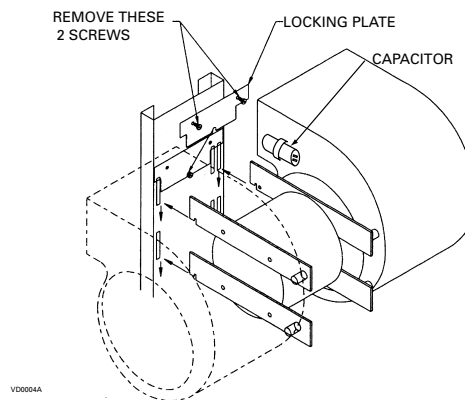
### Motor and Blower Removal and Installation

Disconnect power from the unit. To determine if the fan motor is burned out, disconnect the four-wire service connector between the motor and cabinet. Connect the motor directly to a 115 volt power source with an electrical cable, as follows:

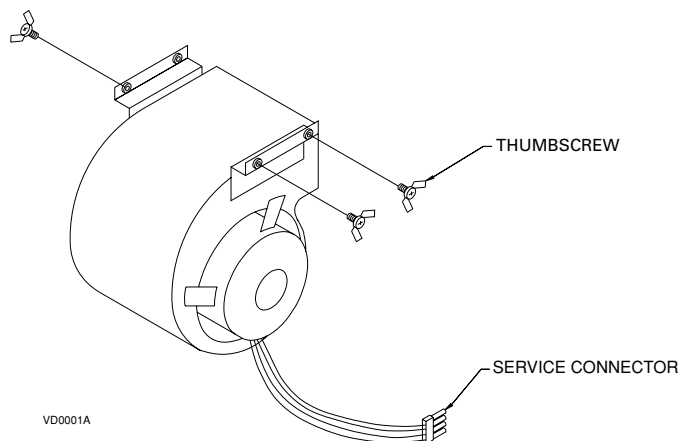
RED + WHITE	Low speed
BLUE + WHITE	Medium speed
BLACK + WHITE	High speed

If the motor functions normally, there is a problem with the wiring connections or the main circuit board. Check all wiring and replace main circuit board if necessary.

If the blower does not run, it must be replaced. To replace the motor, remove the heat recovery core from the unit. Disconnect the four-wire service connector from the unit. Remove the fasteners holding the motor assembly in place. Lift the assembly up and out, using one hand under the motor and one hand to steady it. Remove the assembly carefully from the unit to avoid damage to the insulation, shelf, etc. Install the repaired motor assembly by following these instructions in reverse.



**600 cfm and 1200 cfm**



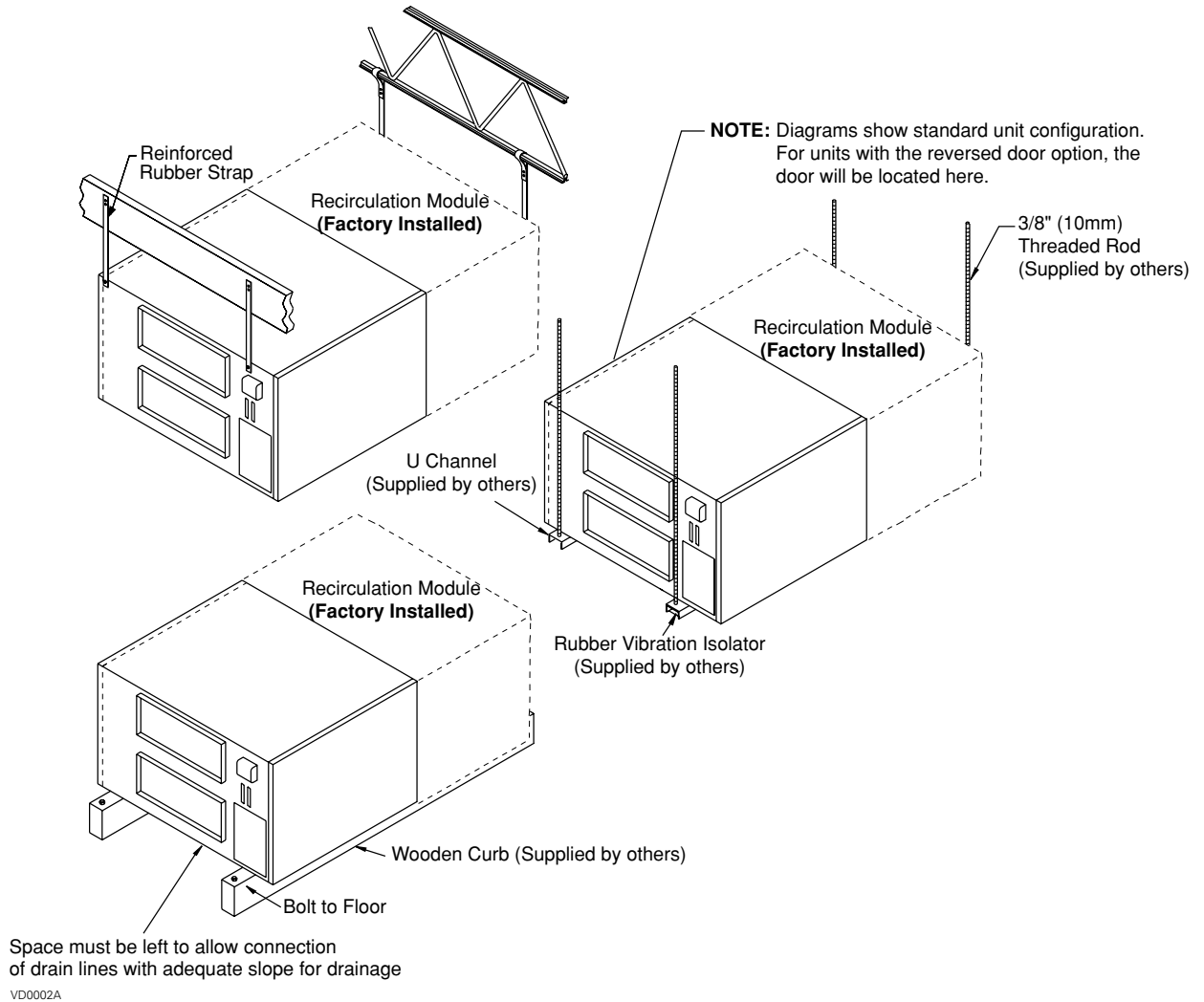
**700 cfm**



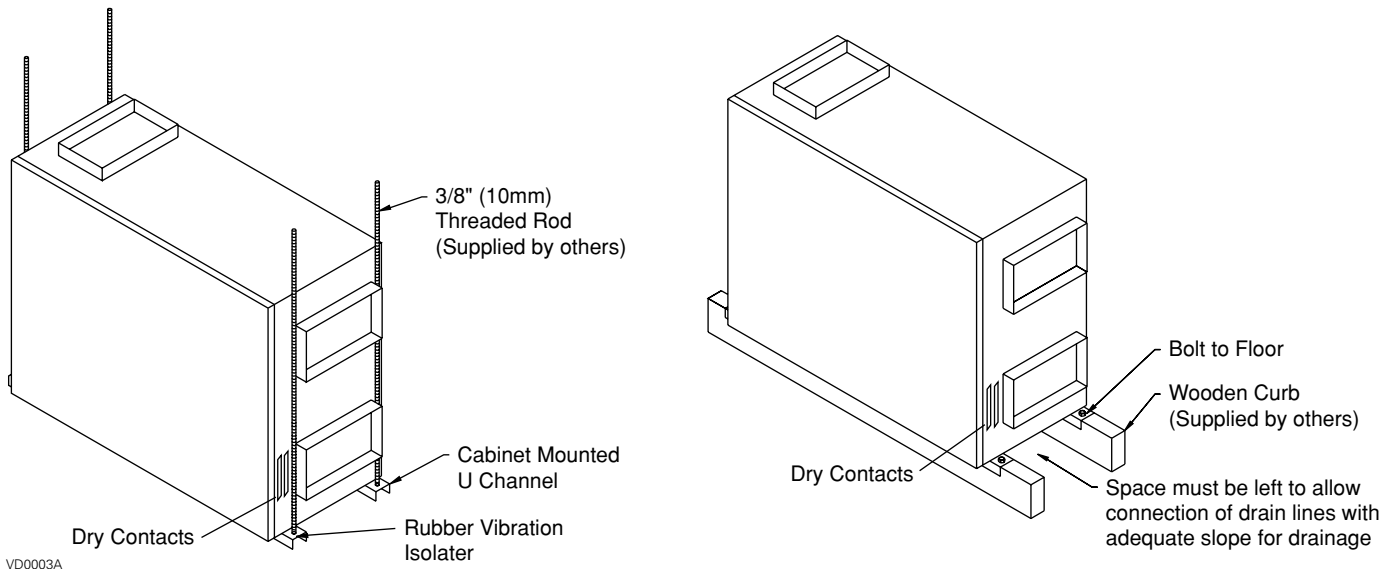
# Appendix A

## Mounting Diagrams

### 600 cfm and 1200 cfm



### 700 cfm



# Appendix B

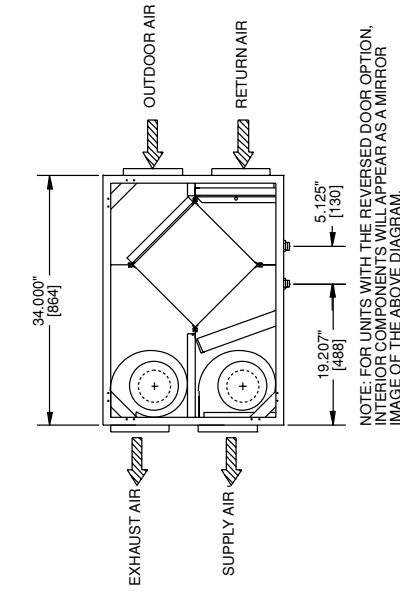
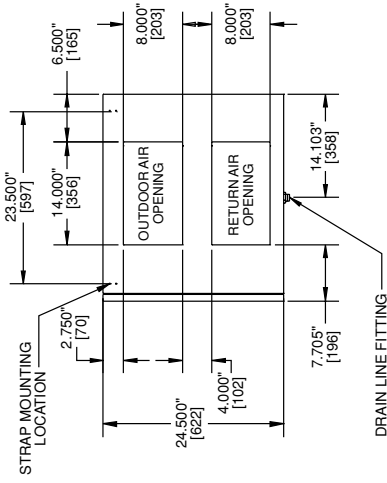
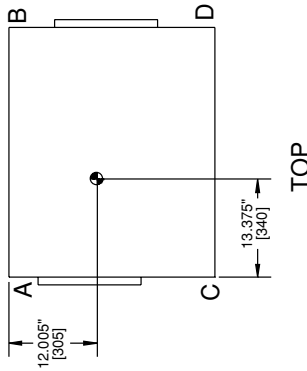
## Unit Dimensions

### B-1: 600 cfm (without recirculation module)

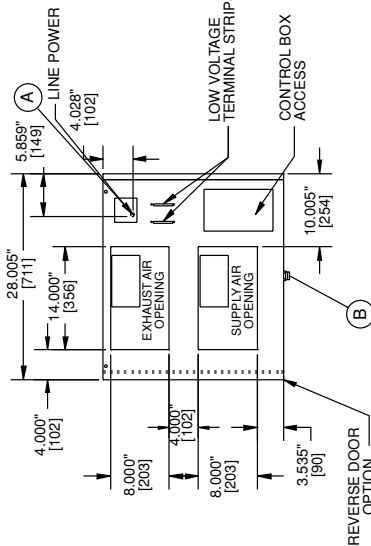
NOTES:  
 Dimensions in [ ] are in millimeters  
 ● Center of gravity  
 ⇨ Direction of airflow

HRV6001 POLY CORE		HRV6001 ALUMINUM CORE	
PTS	LBS	Kg	PTS
A	38.49	17.45	A
B	24.96	11.32	B
C	51.29	23.26	C
D	33.26	15.08	D
TOTAL	148.00	67.13	TOTAL
			170.00
			77.11

CONNECTION TABLE	
CONNECTION SIZES	
Ⓐ	14 Gauge wire nut
Ⓑ	Condensate drain fitting (2x)
	3/4" NPT



NOTE: FOR UNITS WITH THE REVERSED DOOR OPTION, INTERIOR COMPONENTS WILL APPEAR AS A MIRROR IMAGE OF THE ABOVE DIAGRAM.



LEFT SIDE

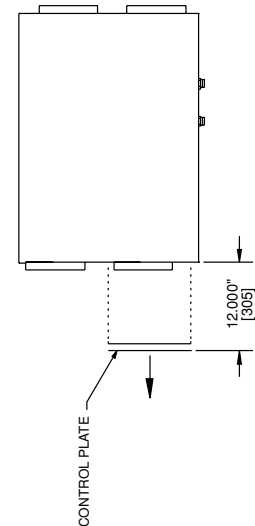
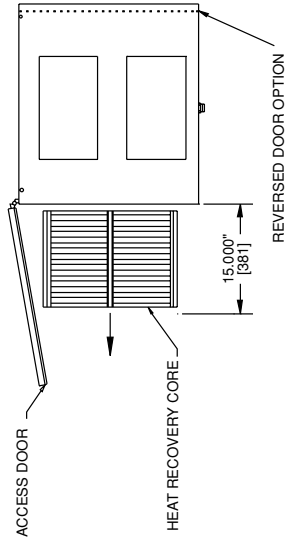
FRONT

RIGHT SIDE

NOTE: THIS MODEL HAS A DAMPER LOCATED ON THE OUTDOOR INTAKE CONNECTION. THIS DAMPER WILL CLOSE DURING A DEFROST CYCLE OR WHEN THE UNIT IS PLACED IN THE OFF POSITION WITH POWER MAINTAINED TO THE UNIT. THIS DAMPER IS NOT DESIGNED AS A BACKDRAFT DAMPER AND WILL REMAIN OPEN IF POWER IS DISCONNECTED FROM THE UNIT FOR ANY REASON.

A MINIMUM OF 12.000" [305] CLEARANCE FROM ANY OBSTRUCTION IS REQUIRED FOR REMOVAL OF CONTROL BOX.

A MINIMUM OF 15.000" [381] CLEARANCE FROM ANY OBSTRUCTION IS REQUIRED FOR REMOVAL OF HEAT RECOVERY CORES, FANS, ETC. THE ACCESS DOOR CAN BE REMOVED FROM CABINET WITH ONLY 2.000" [51] OF CLEARANCE.



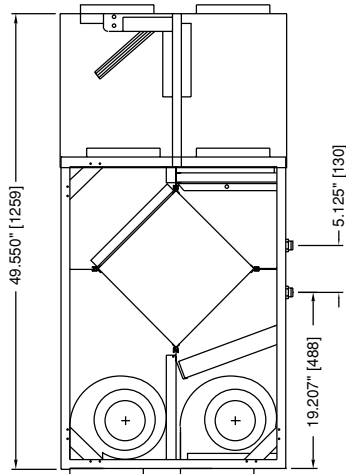
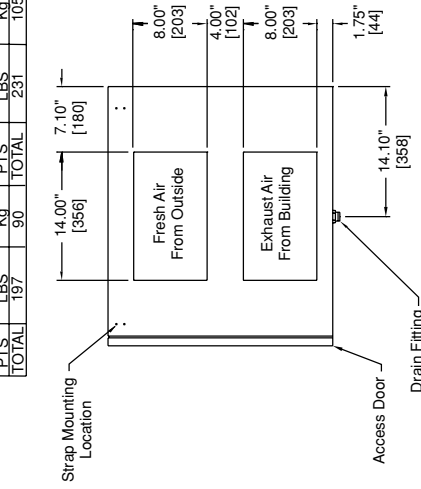
# Appendix B Continued

## Unit Dimensions

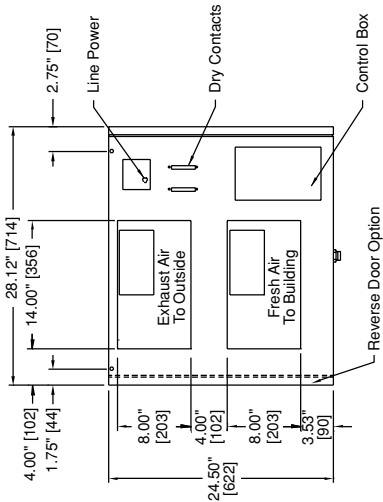
### B-2: 600 cfm with recirculation module (factory installed)

NOTE: Dimensions in [ ] are millimetres.

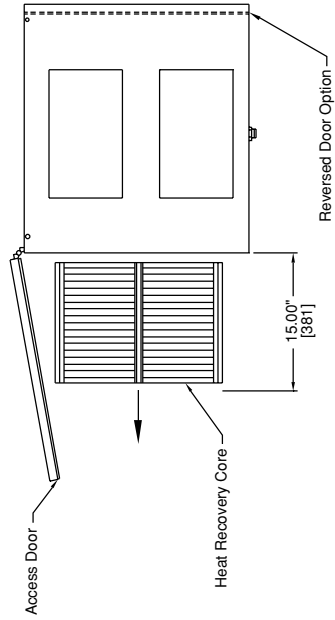
HRV 600i POLY CORE		HRV 600i ALUMINUM CORE	
with recirculation module		with recirculation module	
PTS	LBS	Kg	PTS
197	90	231	105
TOTAL		TOTAL	



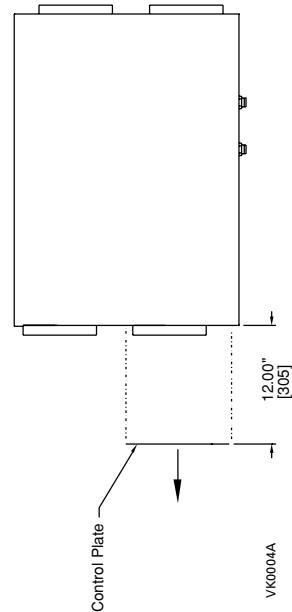
NOTE:  
For units with the reversed door option, interior components will appear as a mirror image of the above diagram.



A minimum of 15.00" [381] clearance from any obstruction is required for removal of heat recovery cores, fans, etc.  
The access door can be removed from cabinet with only 2.00" [51] of clearance.



A minimum of 6.00" [152] clearance from any obstruction is required for removal of control box.



# Appendix B Continued

## Unit Dimensions

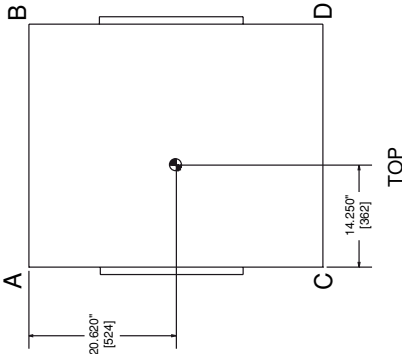
### B-3: 1200 cfm (without recirculation module)

**NOTES:**

Dimensions in [ ] are in millimeters

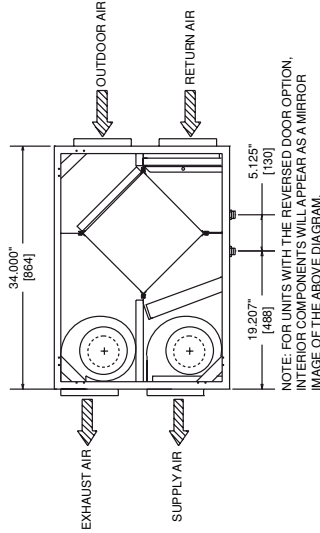
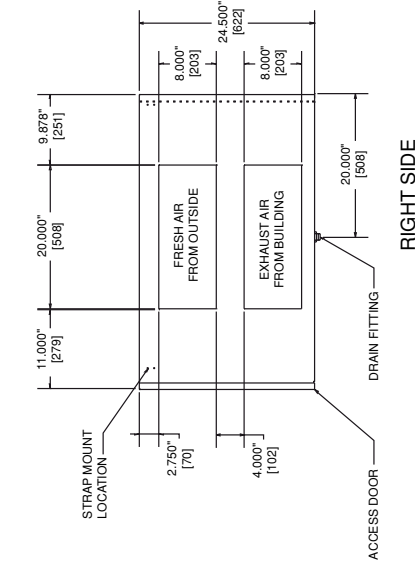
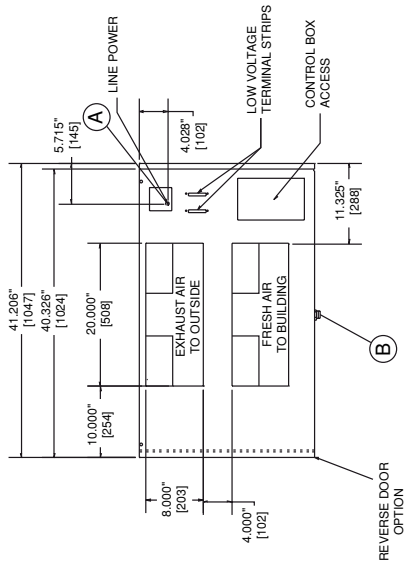
● Center of gravity

➔ Direction of airflow



HRV1200 POLY CORE		HRV1200 ALUMINUM CORE	
PTS	LBS	Kg	PTS
A	54.02	24.50	A
B	38.98	17.68	B
C	54.02	24.50	C
D	38.98	17.68	D
<b>TOTAL</b>	<b>186.00</b>	<b>84.36</b>	<b>TOTAL</b>
			<b>208.00</b>
			<b>94.34</b>

CONNECTION TABLE	
CONNECTION SIZES	
(A)	1/4 GAUGE WIRE NUT
(B)	CONDENSATE DRAIN FITTING (2X) 3/4" mpt



**FRONT VIEW**

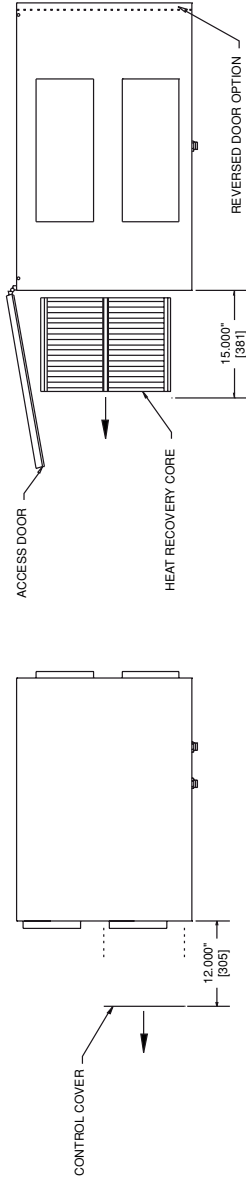
**LEFT SIDE**

**RIGHT SIDE**

**NOTE:** THIS MODEL HAS A DAMPER LOCATED ON THE OUTDOOR INTAKE CONNECTION. THIS DAMPER WILL CLOSE DURING A DEFROST CYCLE OR WHEN THE UNIT IS PLACED IN THE 'OFF' POSITION WITH POWER MAINTAINED TO THE UNIT. THIS DAMPER IS NOT DESIGNED AS A BACKDRAFT DAMPER AND WILL REMAIN OPEN IF POWER IS DISCONNECTED FROM THE UNIT FOR ANY REASON.

A MINIMUM OF 12.000" [305] CLEARANCE FROM ANY OBSTRUCTION IS REQUIRED FOR REMOVAL OF CONTROL BOX.

A MINIMUM OF 15.000" [381] CLEARANCE FROM ANY OBSTRUCTION IS REQUIRED FOR REMOVAL OF HEAT RECOVERY CORES, FANS, ETC. THE ACCESS DOOR CAN BE REMOVED FROM CABINET WITH ONLY 2.000" [51] OF CLEARANCE.



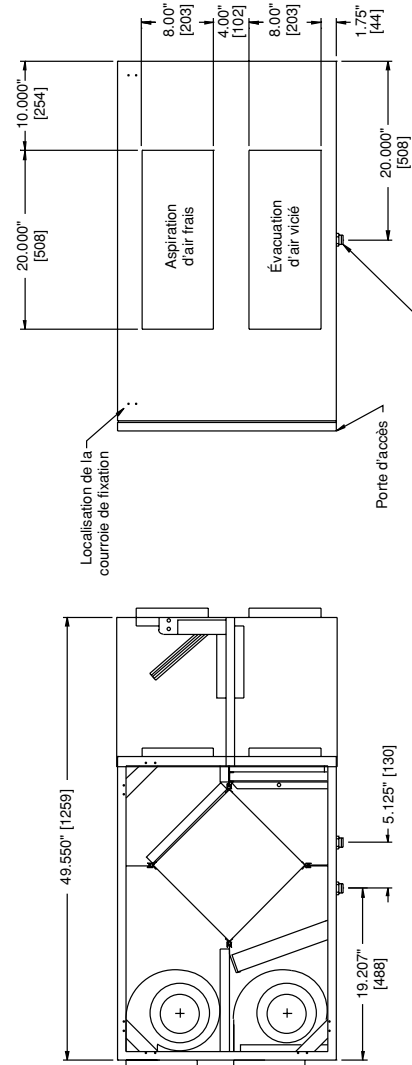
# Appendix B Continued

## Unit Dimensions

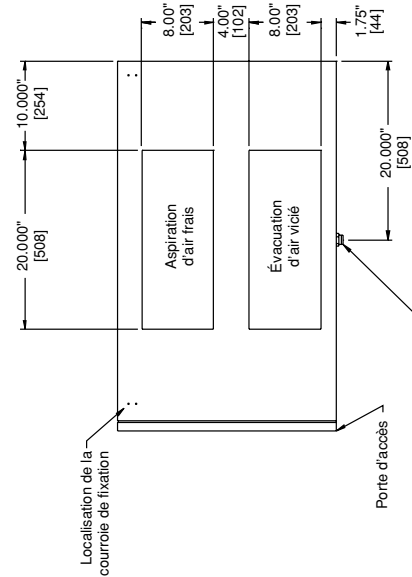
### B-4: 1200 cfm with recirculation module (factory installed)

NOTE: Les dimensions entre [ ] sont en millimètres.

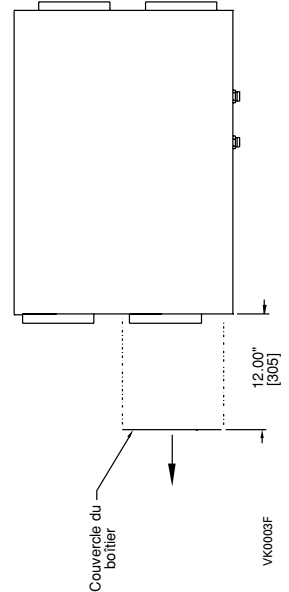
VRC 1200i NOYAU POLY avec module recirc.		VRC 1200i NOYAU ALU avec module recirc.	
PTS	LBS	PTS	LBS
247	112	269	122
TOTAL		TOTAL	



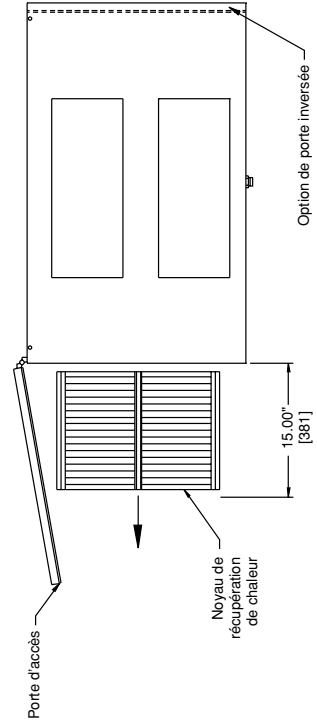
NOTE: Pour les appareils munis de l'option de porte inversée, les pièces inférieures apparaîtront à l'inverse du dessin ci-dessus (image miroir).



Un dégagement minimum de 12.00" [305] est requis pour retirer le boîtier électronique.



Un dégagement minimum de 15.00" [381] est requis pour retirer les noyaux de récupération, les ventilateurs, etc. La porte d'accès peut être retirée du cabinet avec seulement 2.00" [51] de dégagement.



# Appendix B Continued

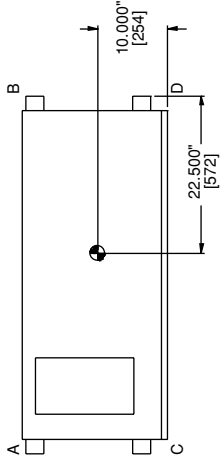
## Unit Dimensions

### B-5: 700 cfm

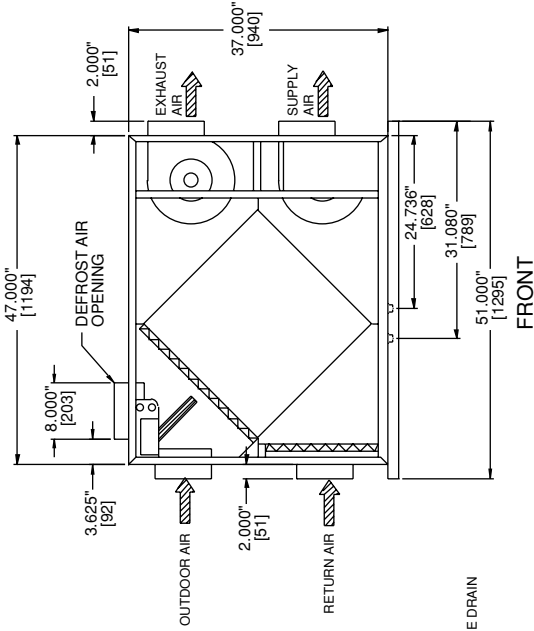
**NOTES:**  
 Dimensions in [ ] are in millimeters  
 Center of gravity  
 Direction of airflow

HRV700i		
PTS	LBS	Kg
A	32.74	14.85
B	68.46	31.05
C	35.20	15.97
D	73.60	33.38
<b>TOTAL</b>	<b>210.00</b>	<b>95.25</b>

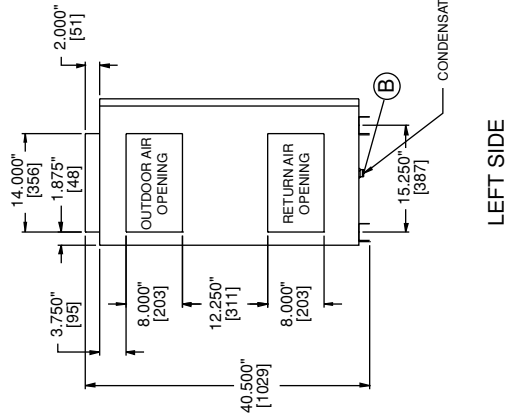
CONNECTION TABLE	
CONNECTION SIZES	
(A)	1/4 gauge wire nut
(B)	Condensate drain fitting (2x) 3/4" mpt



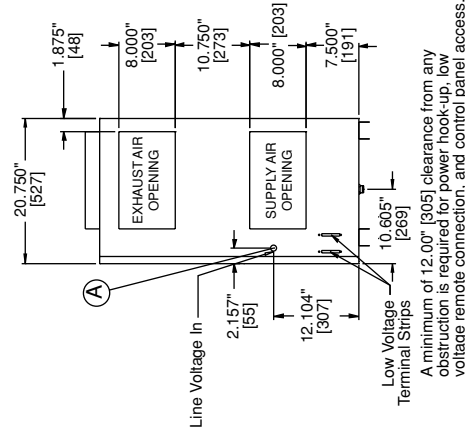
TOP



FRONT

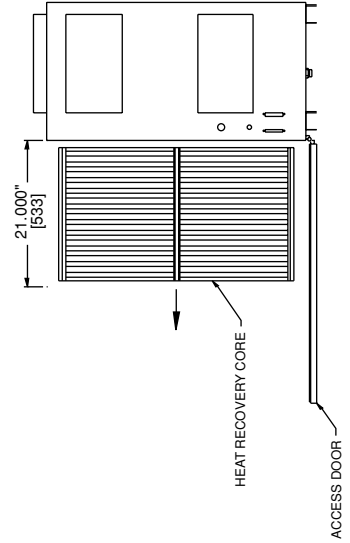


LEFT SIDE



RIGHT SIDE

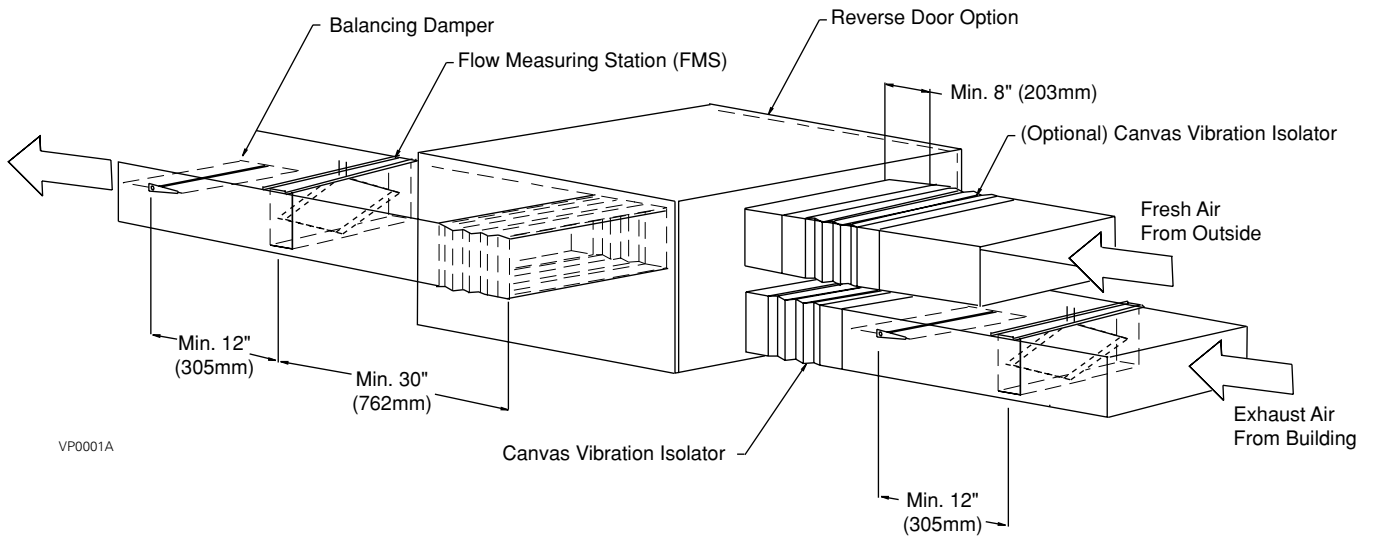
A minimum of 21.00" [533] clearance from any obstruction is required for removal of heat recovery cores, fans, etc. The access door can be removed from cabinet with only 2.00" [51] of clearance.



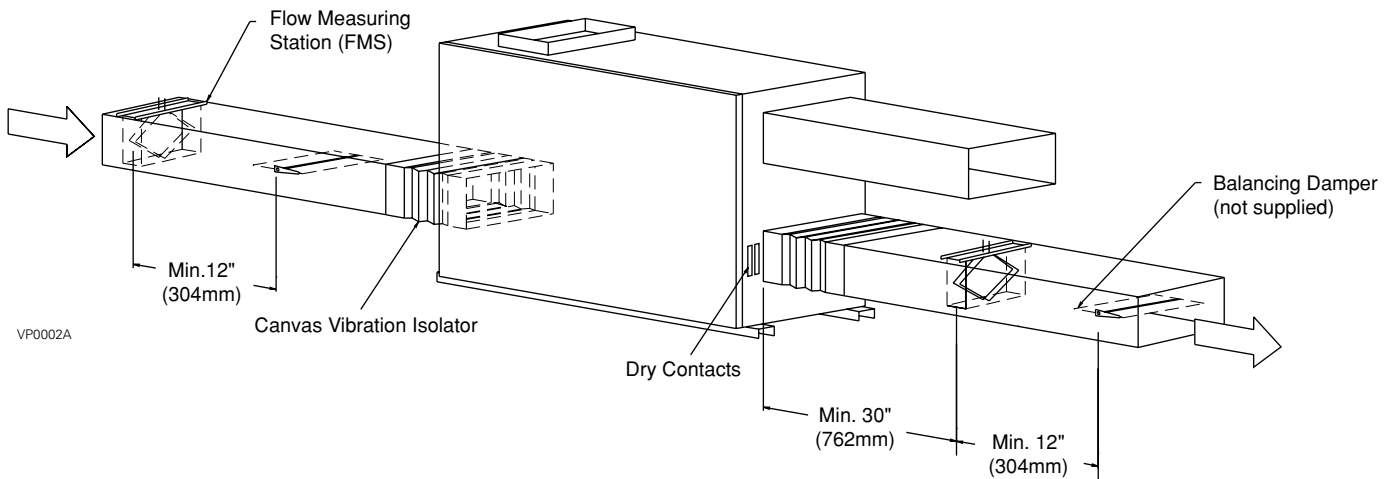
# Appendix C

## Flow Station Positions

### 600 cfm and 1200 cfm



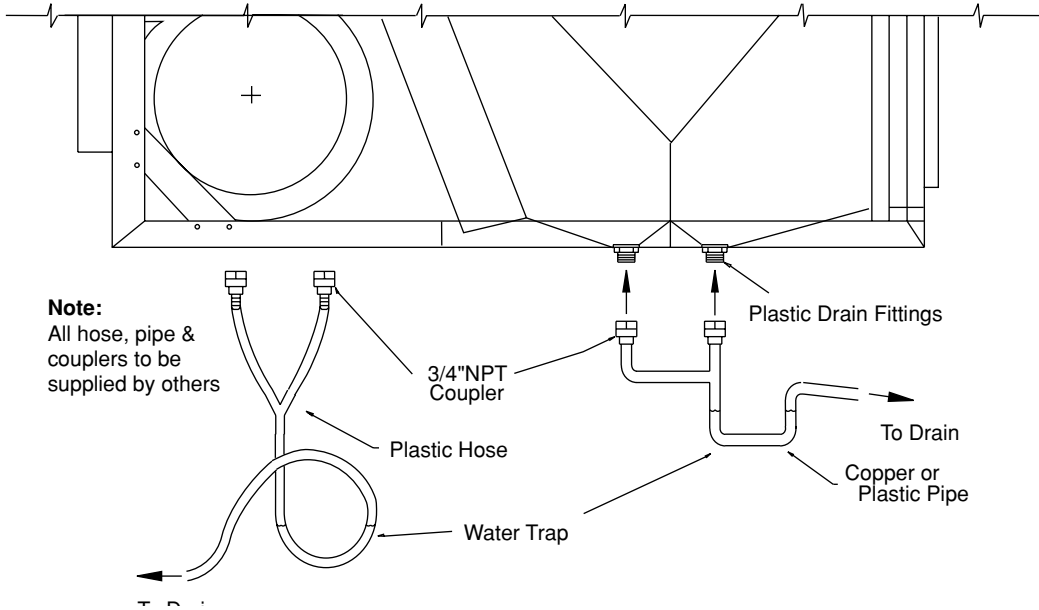
### 700 cfm



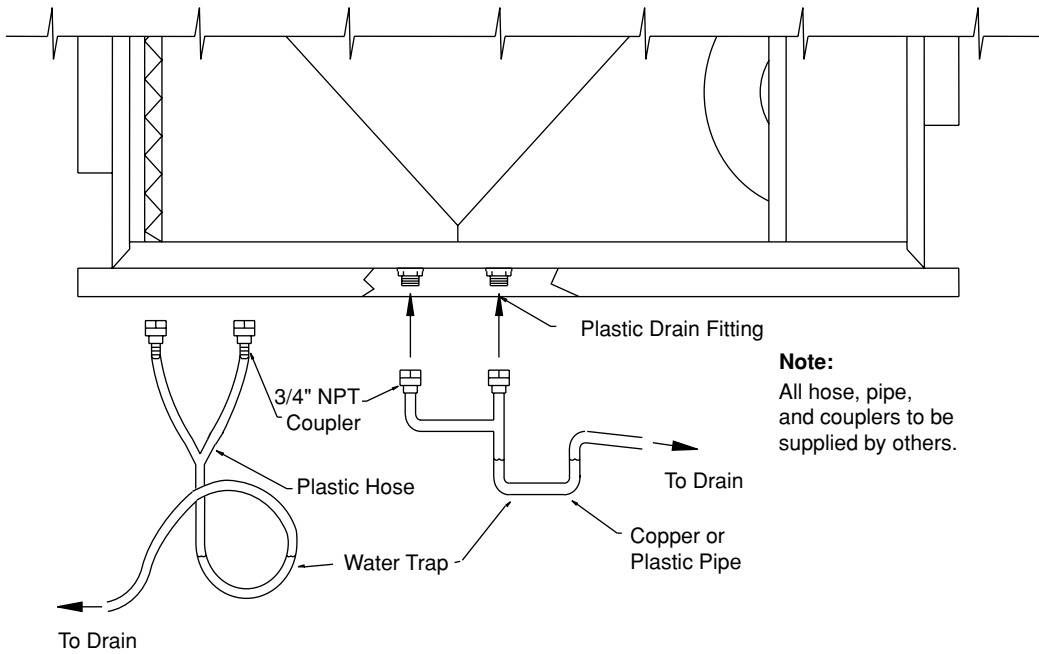
# Appendix D

## Drain Connections

### 600 cfm and 1200 cfm



### 700 cfm





# Appendix E

## Terminal Control Diagrams

### E-1: Terminal Label

A low voltage remote control wiring interface is provided on the unit. The connections for the low voltage remote wiring are located on two terminals adjacent to the exhaust fan outlet (or adjacent to the supply fan outlet on the 700 cfm unit). All field installed wiring must be low voltage class II.

#### Remote Wall Control

Optional wall control requires a 4 wire LVT-24 gauge (or equivalent). This remote wall control runs on 12 VDC.

#### Low Voltage Controls

All other terminals are dry contacts.

*Low Voltage terminal control consists of the following:*

#### Wall Control

4 wire LVT 24 gauge minimum

#### Occupied (Night set back) Timer/Sensor

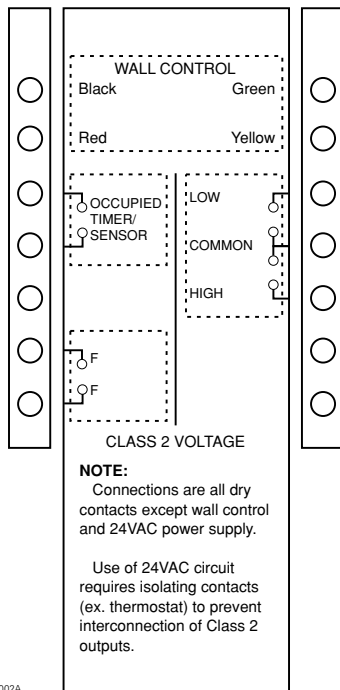
24 VAC, needs dry contact

#### LOW - COM - HIGH

Remote fan switching requires a single pole, double throw switch (SPDT)

#### Fan Interlock Relay Output (FF)

Dry contact closes on ventilation or defrost. Used to control external fan.



### E-2: Wall Control Connection

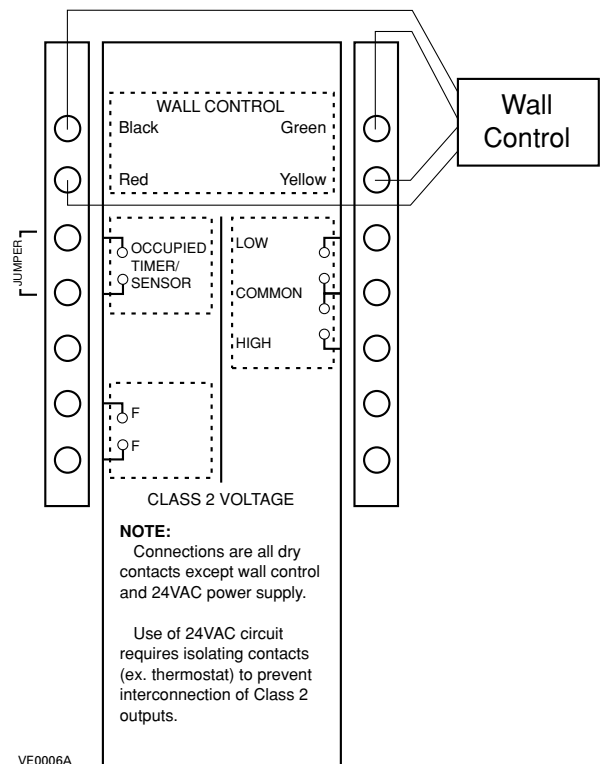
Four types of remote wall controls are available:

1. Slide Switch Wall Control with fan switch and dehumidistat control
2. Push Button Electronic Wall Control with fan mode selection, dehumidistat control and maintenance indicator
3. Pollutant Wall Control with fan mode selection and air pollutant sensor/control
4. Pool Wall Control with fan mode selection, dehumidistat control and high speed recirculation mode.

The remote wall controls work with the micro-processor electronic control within the unit to control ventilation sequences. Each wall control has different features and require 4-wire connection to the unit as shown below. Without the wall control, fans can be operated with a remote fan switch as shown in Appendix E-4.

#### NOTE:

An occupied timer or sensor device **cannot be used** with the push button pool or pollutant wall controls.



# Appendix E Continued

## Terminal Control Diagrams

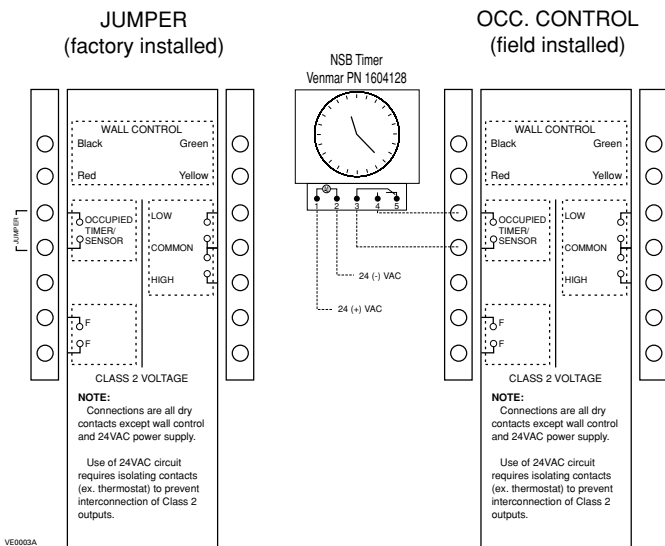
### E-3: Occupied Timer/Sensor Connection

Occupancy control is achieved by connection to the terminal interface shown below. These terminals require a dry contact which could be provided by a number of types of controls such as a timer, light sensor, occupancy sensor, building management system, or other. **The unit will not operate unless these contacts are closed!!**

The illustration below shows a factory installed jumper and programmable timer option.

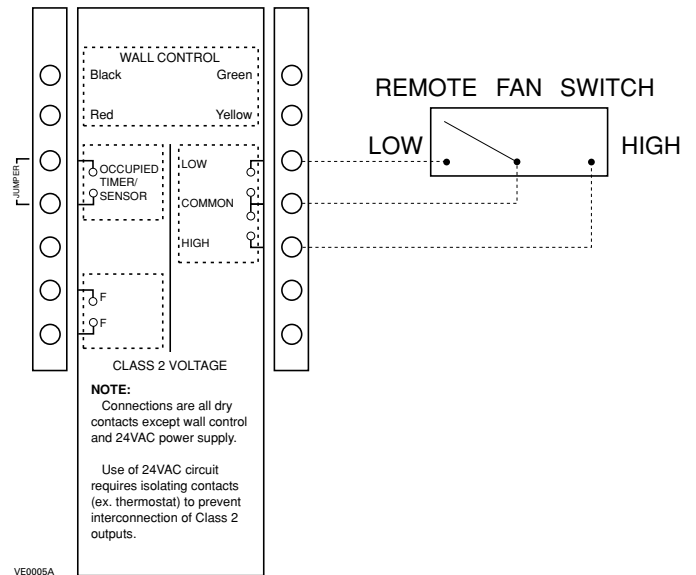
**NOTE:**

An occupied timer or sensor device **cannot be used** with the push button or pollutant wall controls.

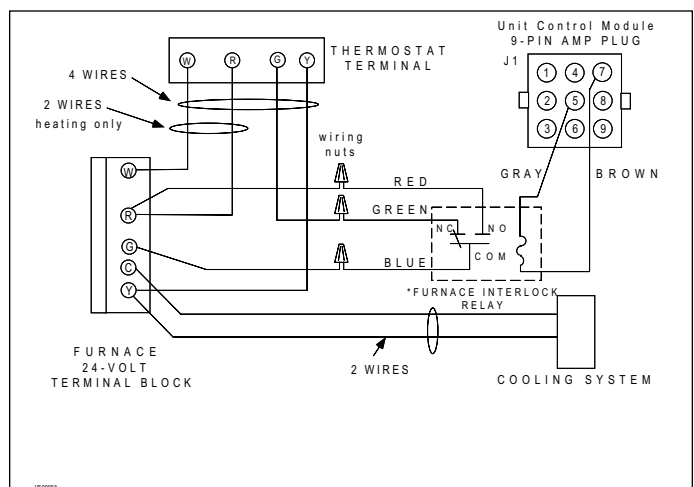
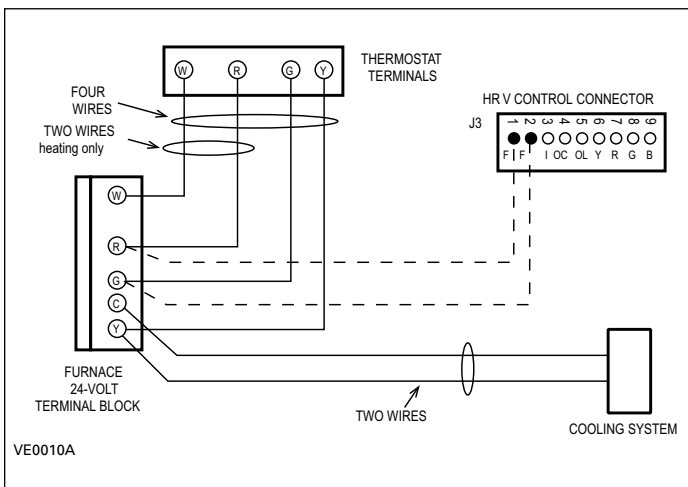


### E-4: Remote Fan Control

Remote fan control can be achieved by connecting dry contact controls to the terminal interface at terminals labeled: LOW - COM - HIGH. These controls could be the following: SPDT switch, dehumidistat, CO<sub>2</sub> sensor, light sensor, timer, building management system, etc. The illustration below represents a switch connected to the unit.



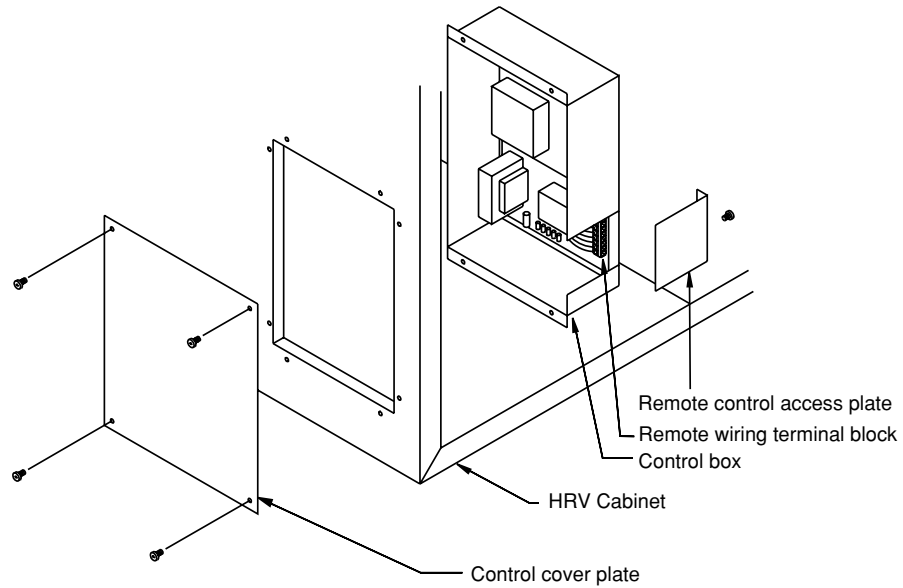
### E-5: Fan Interlock Wiring Diagrams



# Appendix F

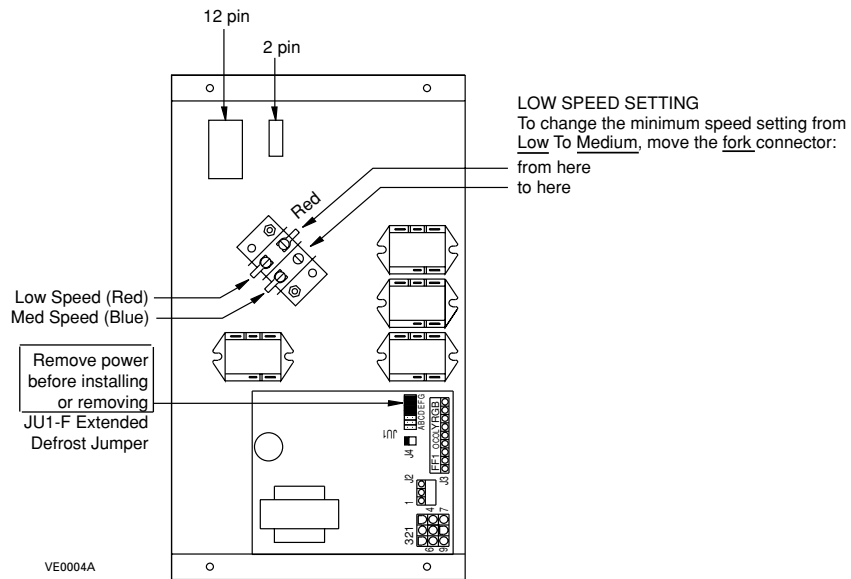
## Electrical Connection Diagrams

### Control Box Assembly 600 cfm and 1200 cfm



VE0001A

### Low Speed Setting Wire Connections 600 cfm and 1200 cfm



VE0004A

# Appendix G

## Make-up Heat Requirements

Although the 600 cfm, 700 cfm and 1200 cfm models have good efficiencies, the supply air could be colder than the ambient room air. It is possible to eliminate the discomfort associated with this temperature difference by installing an electric duct heater. This will temper the air before it is distributed throughout the building. The table below gives the heating requirements at different temperatures and airflows.

**NOTE:**

The data does not reflect a reduction in effectiveness due to frosting. Based on the standard air at: 1.2 Kg/m<sup>3</sup> and Cp = 1.0 KJ/Kg°C  
13.35 lb/ft<sup>3</sup> and Cp = .24 Btu/lbm°F

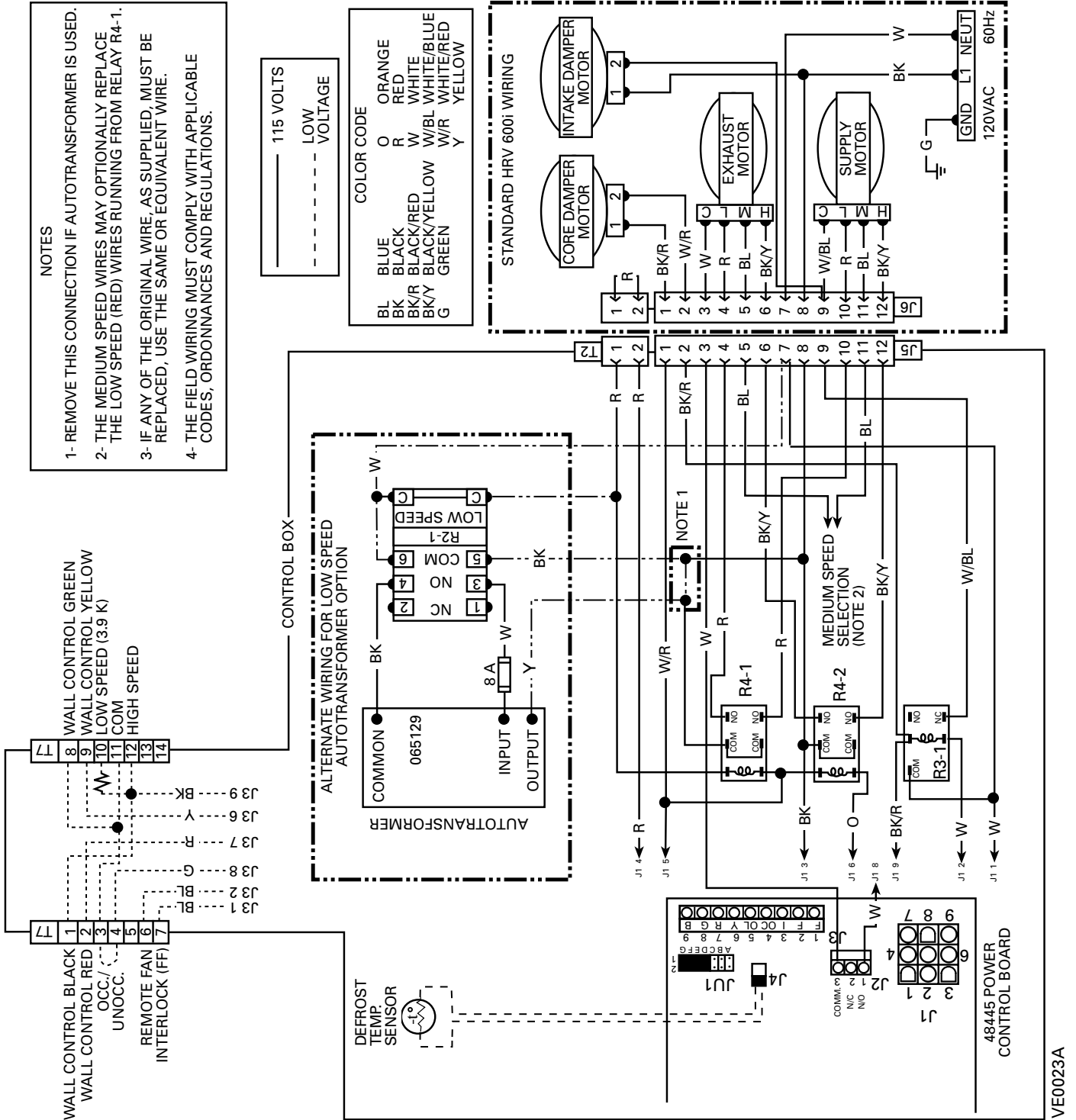
600 and 700 CFM UNIT		OUTDOOR AIR -40°F (-40°C)		OUTDOOR AIR -22°F (-30°C)		OUTDOOR AIR -4°F (-20°C)		OUTDOOR AIR +14°F (-10°C)		OUTDOOR AIR +32°F (0°C)						
		Desired Air Temperature		Desired Air Temperature		Desired Air Temperature		Desired Air Temperature		Desired Air Temperature						
		55°F(13°C)	68°F(20°C)	73°F(23°C)	55°F(13°C)	68°F(20°C)	73°F(23°C)	55°F(13°C)	68°F(20°C)	73°F(23°C)	55°F(13°C)	68°F(20°C)	73°F(23°C)			
Supply Air (cfm)	Supply Air (L/s)	kW	kW	kW	kW	kW	kW	kW	kW	kW	kW	kW				
700	330	7.4	10.4	11.5	5.6	8.6	9.7	3.9	6.8	8.0	2.1	5.1	6.2	0.3	3.3	4.4
650	307	6.6	9.4	10.5	5.0	7.8	8.9	3.4	6.2	7.3	1.8	4.6	5.6	0.2	3.0	4.0
600	283	5.9	8.5	9.4	4.5	7.0	8.0	3.0	5.6	6.5	1.6	4.1	5.1	0.1	2.7	3.7
550	259	5.2	7.6	8.5	3.9	6.3	7.2	2.6	5.0	5.9	1.3	3.7	4.6	0.1	2.4	3.3
500	236	4.0	6.1	7.0	3.0	5.1	5.9	1.9	4.0	4.9	0.9	3.0	3.8	-	1.9	2.7
450	212	3.0	4.9	5.6	2.1	4.0	4.8	1.3	3.2	3.9	0.4	2.3	3.1	-	1.5	2.2
400	189	2.2	3.9	4.6	1.5	3.2	3.9	0.9	2.5	3.2	0.2	1.9	2.5	-	1.2	1.8

1200 CFM UNIT		OUTDOOR AIR -40°F (-40°C)		OUTDOOR AIR -22°F (-30°C)		OUTDOOR AIR -4°F (-20°C)		OUTDOOR AIR +14°F (-10°C)		OUTDOOR AIR +32°F (0°C)						
		Desired Air Temperature		Desired Air Temperature		Desired Air Temperature		Desired Air Temperature		Desired Air Temperature						
		55°F(13°C)	68°F(20°C)	73°F(23°C)	55°F(13°C)	68°F(20°C)	73°F(23°C)	55°F(13°C)	68°F(20°C)	73°F(23°C)	55°F(13°C)	68°F(20°C)	73°F(23°C)			
Supply Air (cfm)	Supply Air (L/s)	kW	kW	kW	kW	kW	kW	kW	kW	kW	kW	kW				
1250	590	14.6	19.9	21.9	11.2	16.5	18.5	7.8	13.1	15.2	4.4	9.7	11.8	1.0	6.3	8.4
1200	566	13.5	18.6	20.6	10.4	15.5	17.4	7.2	12.3	14.3	4.0	9.1	11.1	0.8	5.9	7.9
1150	542	12.6	17.4	19.3	9.6	14.5	16.4	6.6	11.5	13.4	3.6	8.5	10.4	0.7	5.5	7.4
1100	519	11.2	15.9	17.7	8.5	13.2	15.0	5.8	10.5	12.3	3.1	7.7	9.6	0.4	5.0	6.8
1050	495	10.7	15.2	16.9	8.1	12.6	14.3	5.5	10.0	11.7	2.9	7.4	9.1	0.4	4.8	6.5
1000	472	9.9	14.1	15.7	7.4	11.7	13.3	5.0	9.3	10.9	2.6	6.9	8.5	0.2	4.4	6.1
900	425	8.5	12.4	13.8	6.4	10.2	11.7	4.3	8.1	9.6	2.2	6.0	7.5	0.1	3.9	5.4
800	377	7.0	10.4	11.7	5.2	8.6	9.9	3.4	6.8	8.2	1.7	5.0	6.4	-	3.3	4.6
700	330	5.1	8.1	9.3	3.7	6.7	7.9	2.3	5.3	6.5	0.9	3.9	5.1	-	2.5	3.7

# Appendix H

## Wiring Diagram

### Wiring Diagram for 600 cfm unit

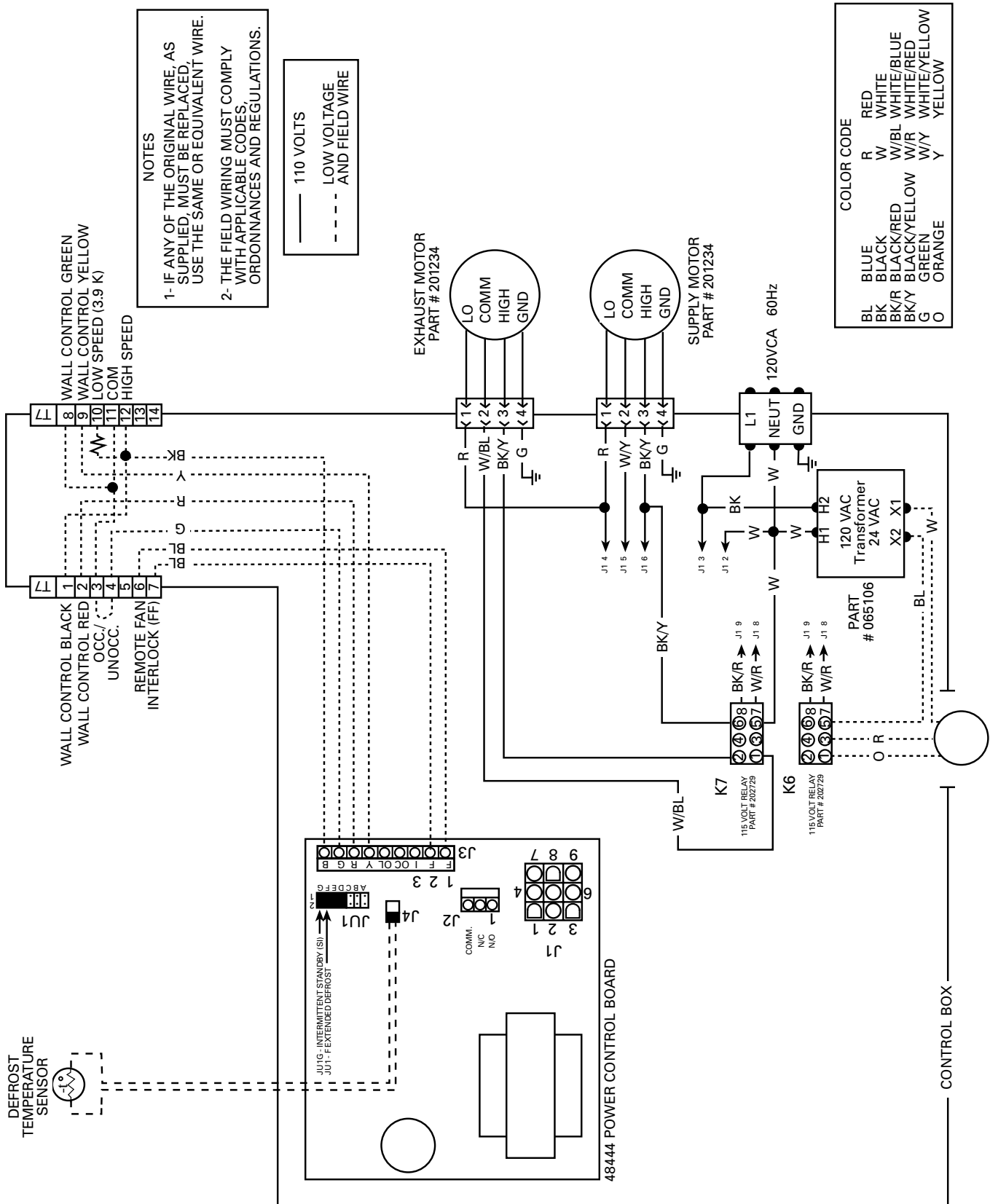


VE0023A

# Appendix H Continued

## Wiring Diagram

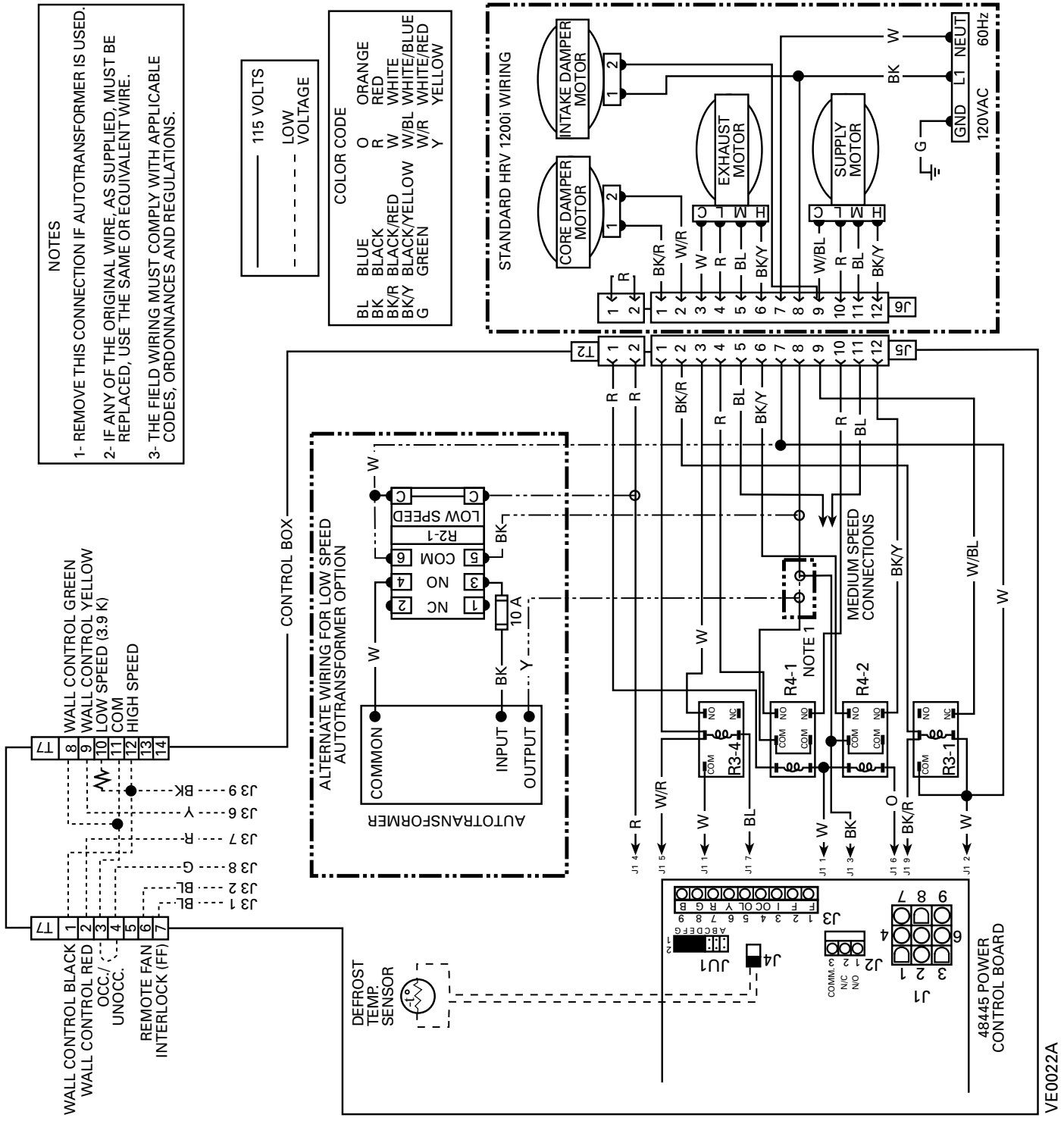
### Wiring Diagram for 700 cfm unit



# Appendix H Continued

## Wiring Diagram

### Wiring Diagram for 1200 cfm unit



VE0022A

# Appendix I

## Trouble Shooting

SYMPTOMS	POSSIBLE CAUSES	SOLUTIONS
Inside air is too dry	Over ventilation - speed setting too high Dehumidistat setting is too low	Adjust speed setting Set dehumidistat control in a higher position (if applicable)
Persistent condensation on windows, walls, ceilings, etc.	Improper adjustment of dehumidistat control Improper ventilation rate Window frame is too cold or leaky	Adjust dehumidistat control knob to a lower setting Install a dehumidistat (option) Repair window frame
Unit stops functioning	Electrical supply interrupted	Check the unit circuit breaker
Air from supply diffusers too cold	Imbalance of supply and exhaust air Outdoor temperature very cold	Check filters and cores for blockage Check balance of airflows Install electric duct heater if necessary
Unit makes annoying noise	Blower wheel out of alignment	Remove the motor/blower assembly and adjust blower wheel
Heat exchange core freezing up	Imbalance of supply and exhaust air Defrost damper not functioning	Check filters and cores for blockage Check balance of airflows Check for operation of both defrost damper actuators

For technical assistance and warranty information,  
please call your local supplier.

